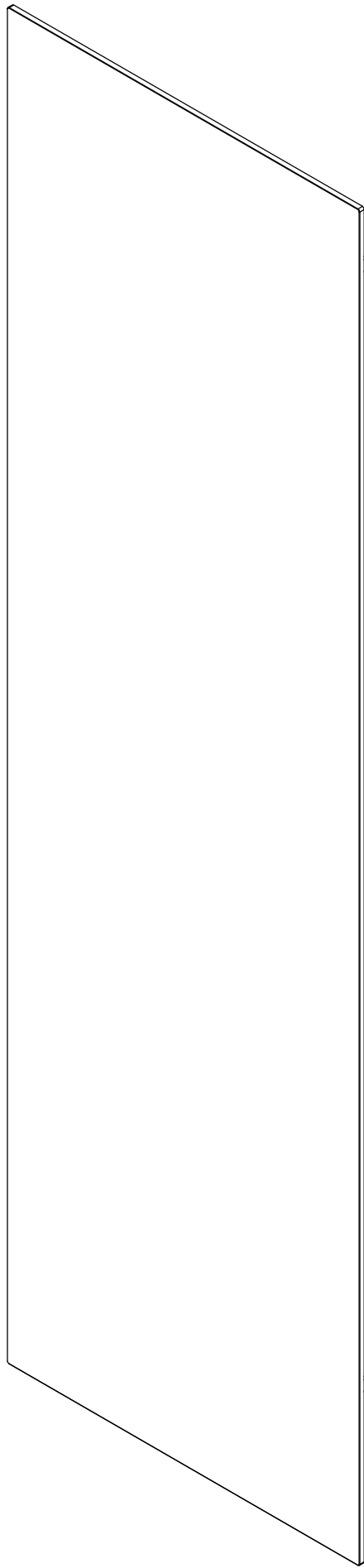
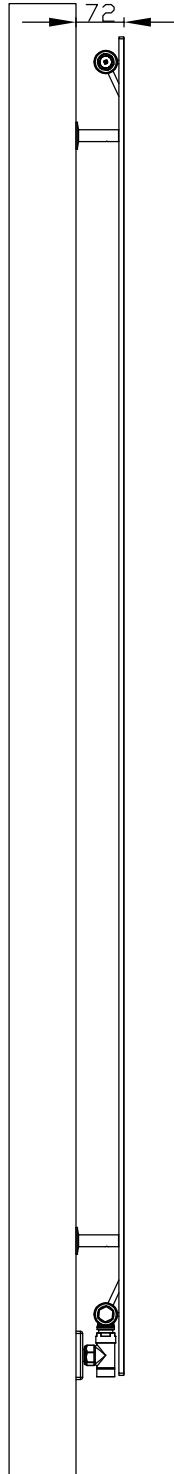
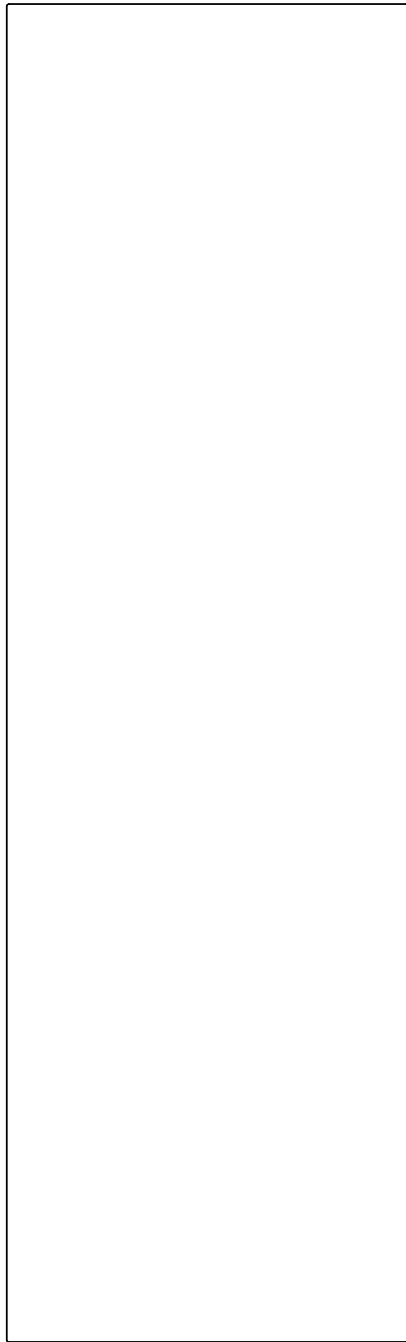


LEY

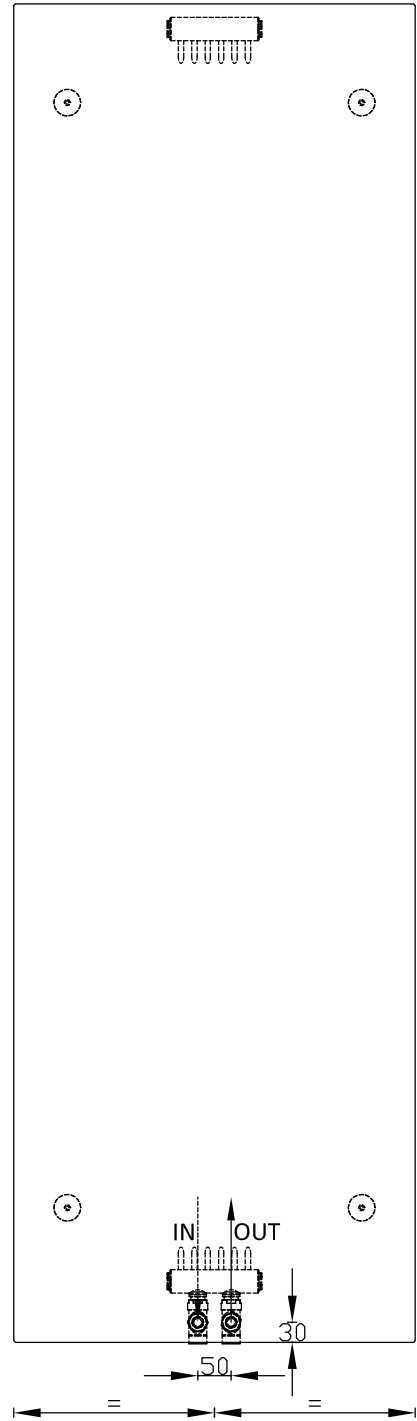
HOTECH DESIGN





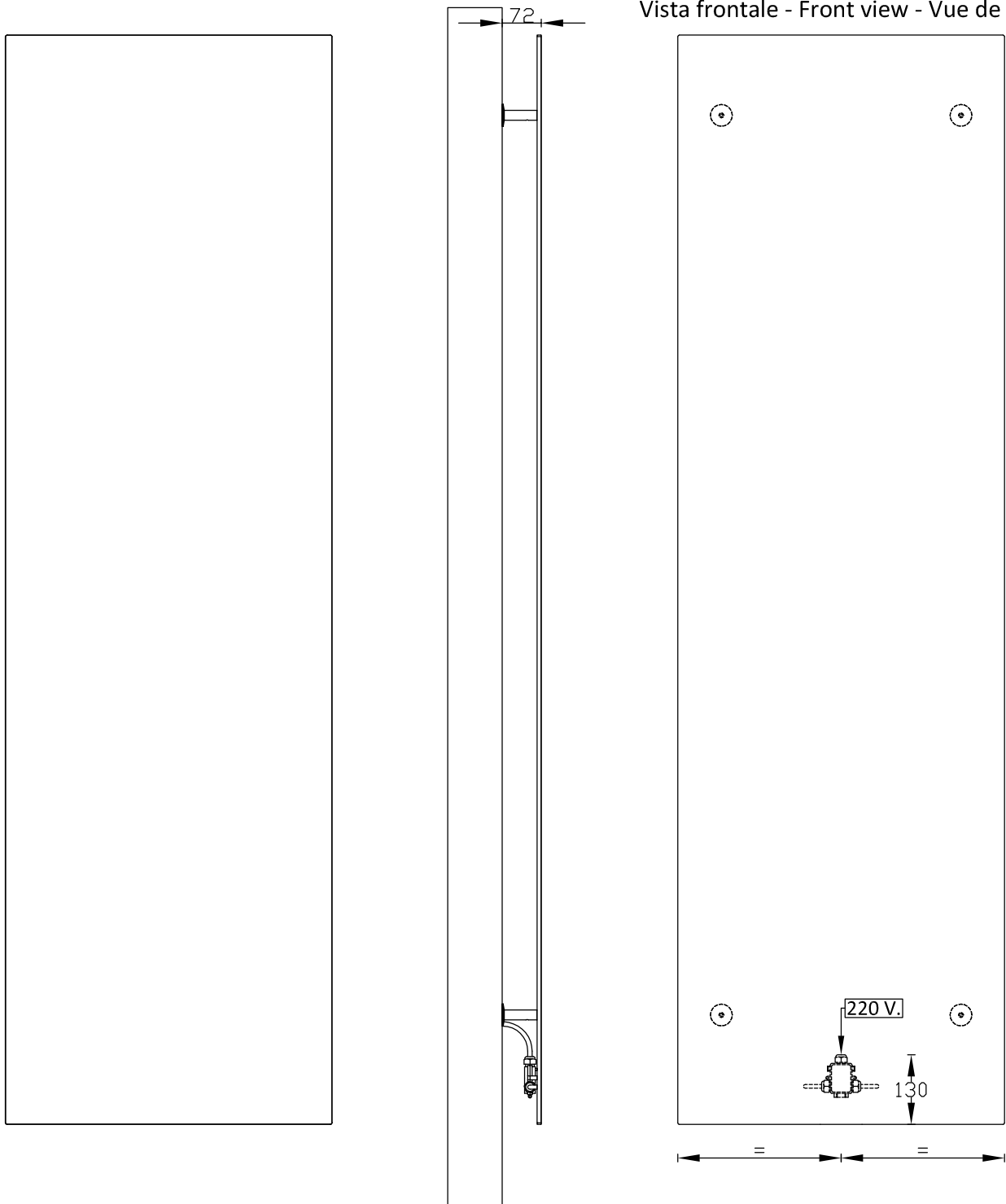


Vista frontale - Front view - Vue de face



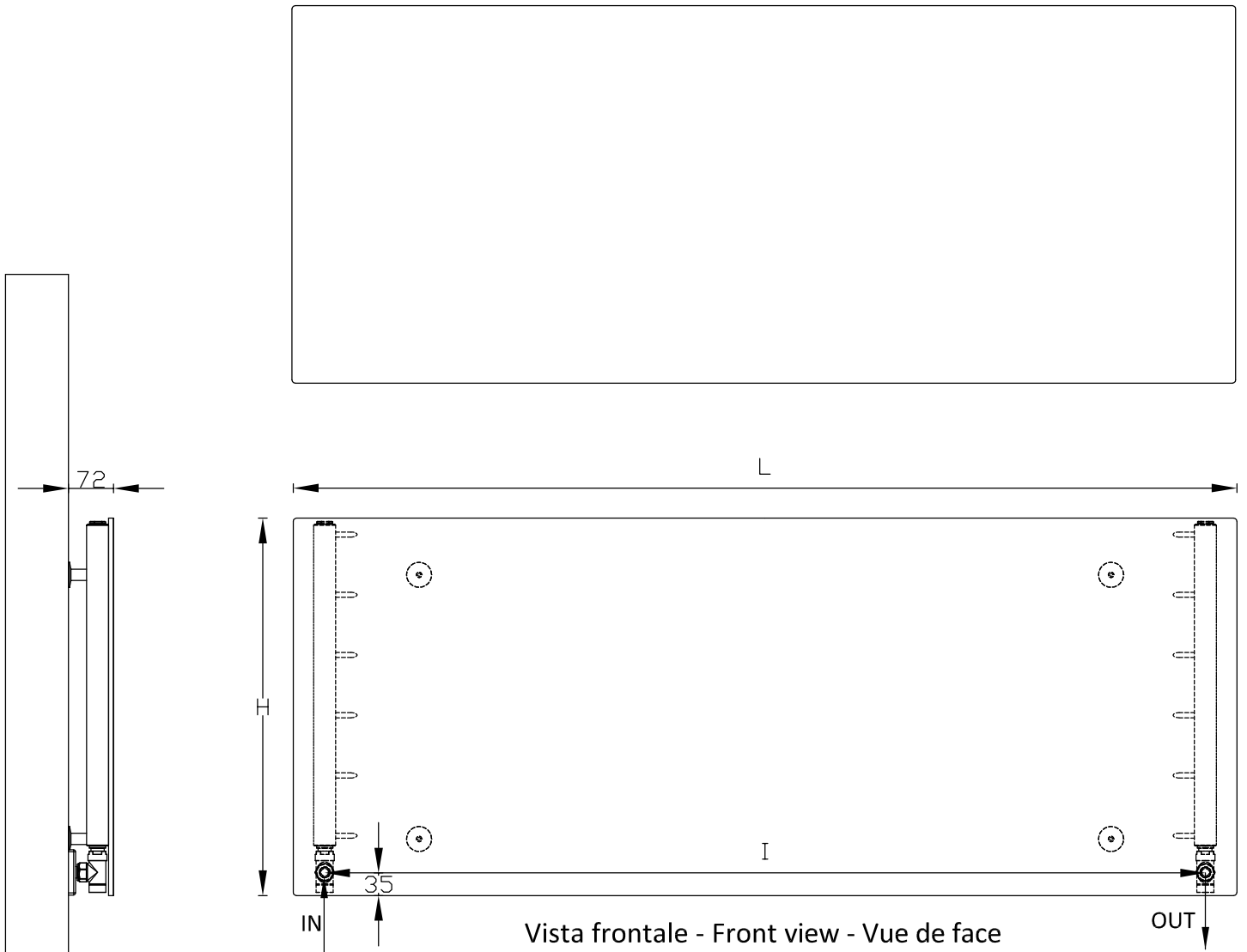
VERSIONE IDRAULICA - HYDRAULIC VERSION - VERSION HYDRAULIQUE

| Altezza mm. Heigt mm. Hauteur mm. | Larghezza mm. Width mm. Largeur mm. | Potenza Watt ΔT 50° Power Watt ΔT 50° Puissance Watt ΔT 50° | Contenuto H2O Contents H2O Contenu H2O | Peso Weight Poids |
|---|---|---|--|-------------------------|
| 1800 | 500 | 825 | 0.90 | 27 |
| 1800 | 600 | 990 | 0.92 | 32 |
| 2000 | 500 | 920 | 0.95 | 30 |
| 2000 | 600 | 1100 | 0.97 | 35 |



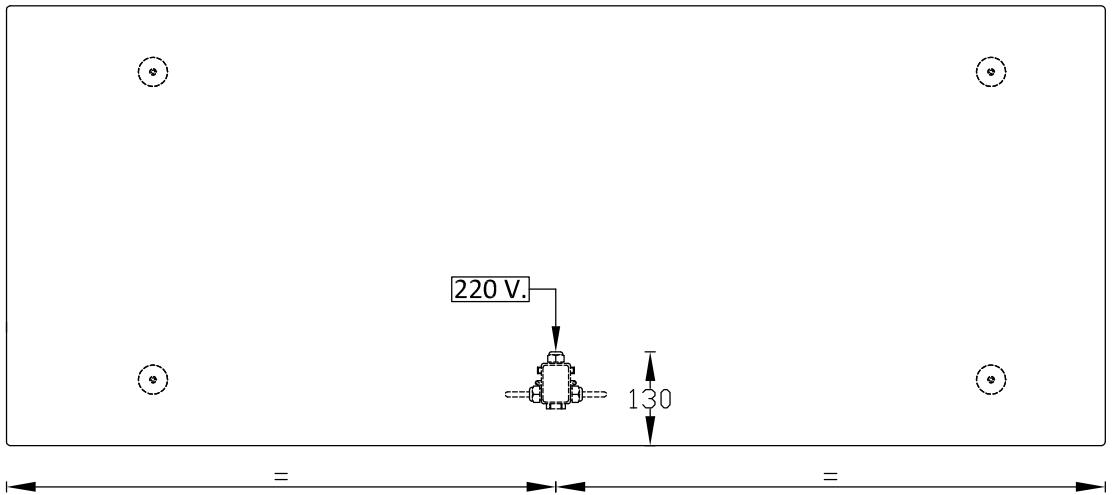
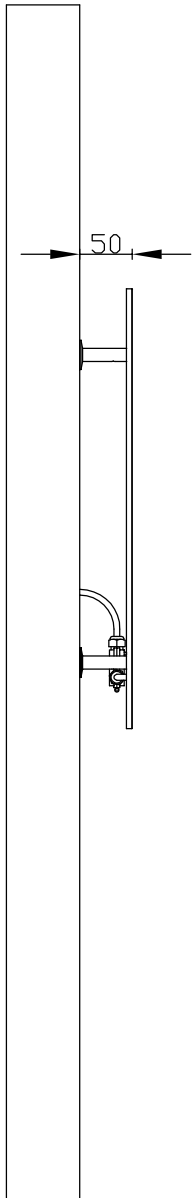
VERSIONE ELETTRICA - ELECTRIC VERSION - VERSION ELECTRIQUE

| Altezza mm. Heigt mm. Heuteur mm. | Larghezza mm. Width mm. Largeur mm. | Potenza Watt Power Watt Puissance Watt | Peso Weight Poids |
|---|---|--|-------------------------|
| 1800 | 500 | 825 | 27 |
| 1800 | 600 | 990 | 32 |
| 2000 | 500 | 920 | 30 |
| 2000 | 600 | 1100 | 35 |



VERSIONE IDRAULICA - HYDRAULIC VERSION - VERSION HYDRAULIQUE

| H | L | I | Potenza Watt $\Delta T 50^\circ$ Power Watt $\Delta T 50^\circ$ Puissance Watt $\Delta T 50^\circ$ | Contenuto H2O Contents H2O Contenu H2O | Peso Weight Poids |
|-----|------|------|--|--|-------------------------|
| 500 | 1800 | 1700 | 930 | 0.90 | 27 |
| 600 | 1800 | 1700 | 1120 | 0.92 | 32 |
| 500 | 2000 | 1900 | 1040 | 0.95 | 30 |
| 600 | 2000 | 1900 | 1240 | 0.97 | 35 |

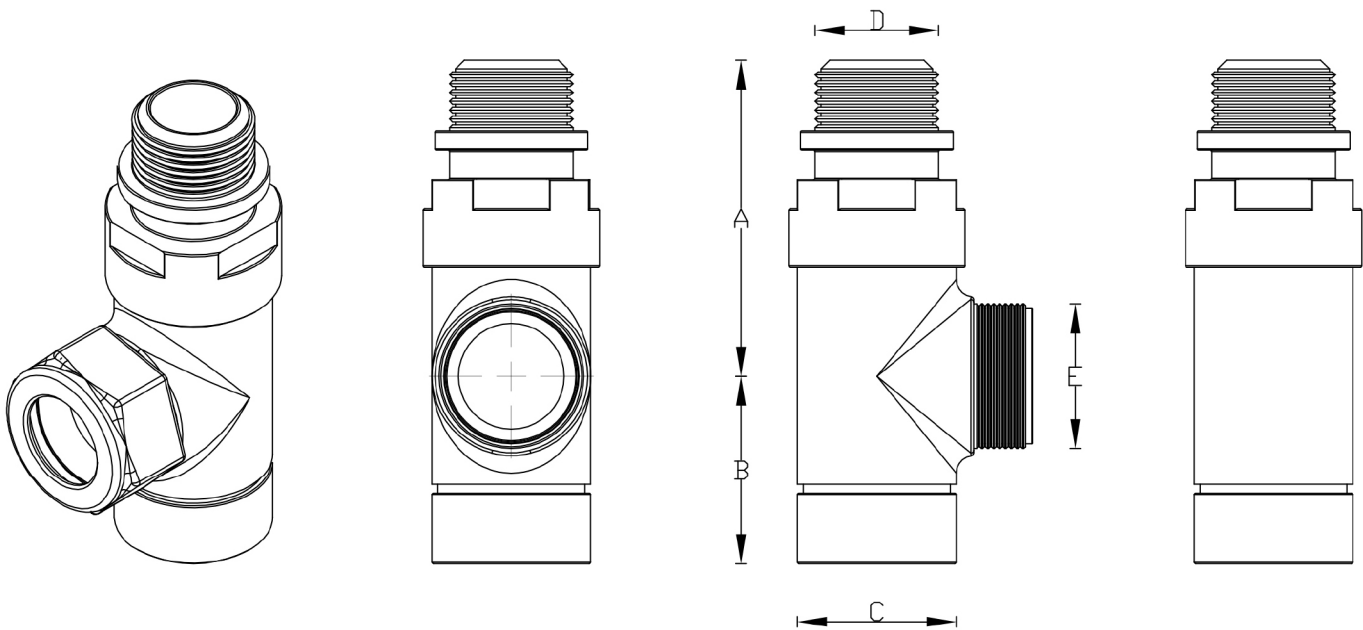


Vista frontale - Front view - Vue de face

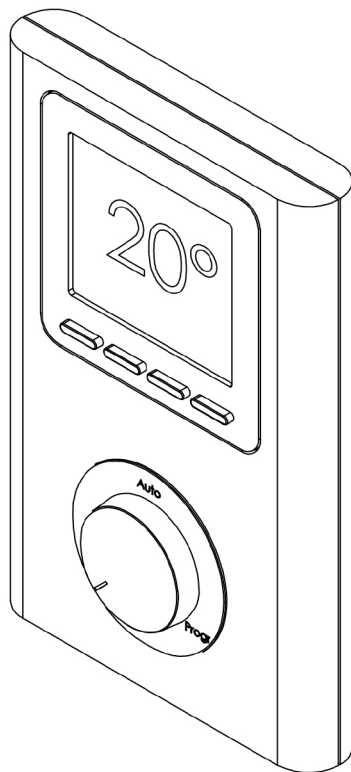
VERSIONE ELETTRICA - ELECTRIC VERSION - VERSION ELECTRIQUE

| Altezza mm. Heigt mm. Heuteur mm. | Larghezza mm. Width mm. Largeur mm. | Potenza Watt Power Watt Puissance Watt | Peso Weight Poids |
|---|---|--|-------------------------|
| 500 | 1800 | 930 | 27 |
| 600 | 1800 | 1120 | 32 |
| 500 | 2000 | 1040 | 30 |
| 600 | 2000 | 1240 | 35 |

KIT VALVOLE - VALVE SET - KIT DE SOUPAPES

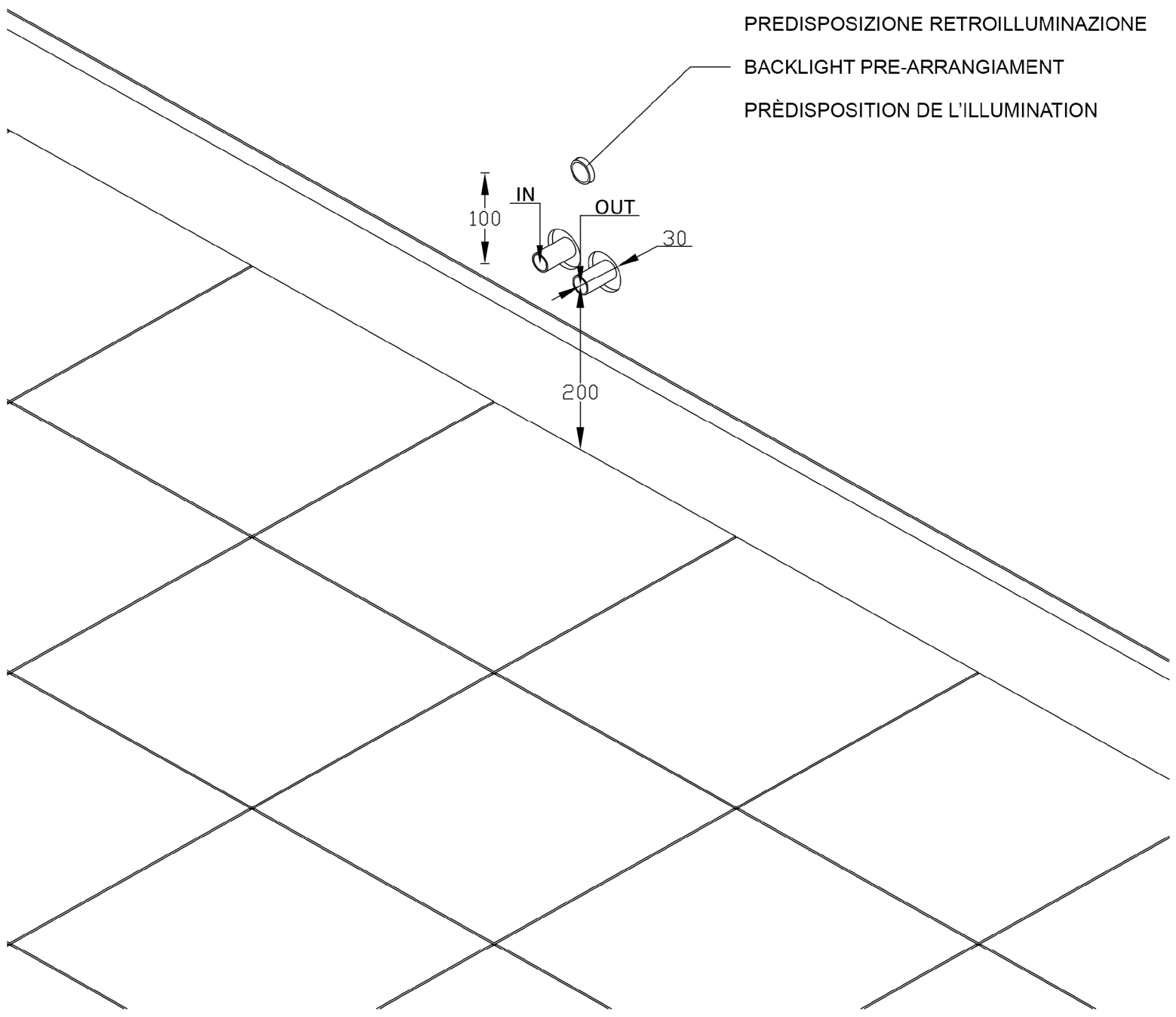


| D | A | B | C | E |
|------|----|----|----|-------|
| 1/2" | 41 | 32 | 26 | 24X19 |



- Cronotermostato wifi per radiatori elettrici (optional)
- Wifi thermostat for electric radiators (optional)
- Thermostat wifi pour radiateurs électriques (optional)

PREDISPOSIZIONE - PRE ARRANGIAMENT - PRÉDISPOSITION



PREDISPOSIZIONE RETROILLUMINAZIONE

BACKLIGHT PRE-ARRANGIAMENT

PRÉDISPOSITION DE L'ILLUMINATION

